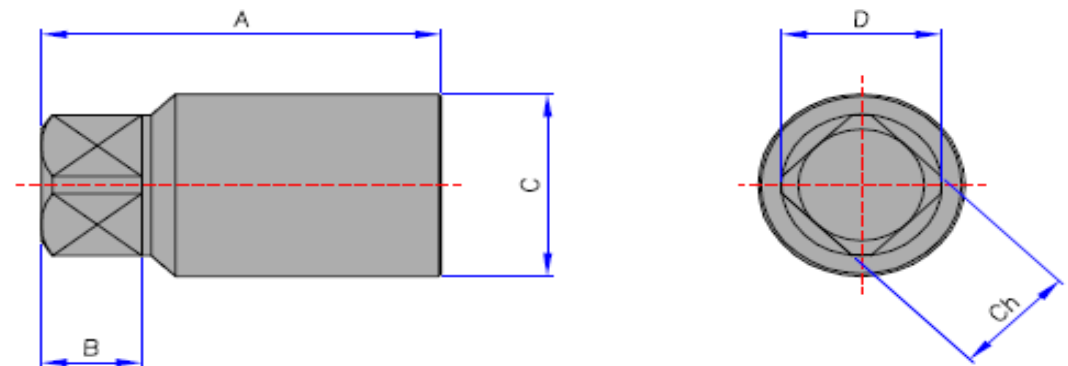


## COUPLING DIMENSIONS ISO 5211

MODEL TYPE	A*	B	C	D	Ch
CH 9	76	16	20	11.5	9x9
CH11	76	16	25	14	11x11
CH14	76	16	30	17.5	14x14
CH17	89	19	40	21.5	17x17
CH22	104	24	50	27.5	22x22
CH27	109	29	50	34	27x27
CH36	128	38	60	46	36x36
CH46	148	48	70	58	46x46
CH55	157	57	80	70	55x55

\* Only semimachined

Dimensions in mm



MATERIALS
Carbon steel 11SMnPb37+C GALVANIZED
Stainless steel 1.4404 (AISI 316L)

Other materials on request

Other forms on request

Possible machining valve side

