

VALVE POSITION MONITOR APL - SERIES

WEATHER PROOF



Valve Position Monitor *APL-210 N*Series



MODEL APL -210 N

- Enclosure : Weatherproof IP67/NEMA4&4X (Standard)
- Solid and compact design
- Bolts on visual position indicator
(Re-adjustment available upon required direction)
- Dual cable entries : 2 x 1/2 NPT(Standard)
M20, PG13.5, PF1/2", PT1/2".(Option)
- Terminal Strips : 8 points(0.08-2.5mm²)
- Captive cover bolts
- Easy mounting
NAMUR standard stainless steel shaft and bracket.

STANDARD SPECIFICATION

Specification	Model	APL- 2N Series
Enclosure		Weatherproof IP67/NEMA4&4X
Cable entries		Two NPT1/2"
Ambient temperature		-20°C ~ 80°C
Terminal strips		8 points (0.08-2.5mm ²)
Position indicator		0 ~ 90°(90°turn free join) close:red open:yellow
Switches		Mechanical switch x2 proximity sensor x2
Painting		Chromate Polyester podwer coating(black)

SWITCH SPECIFICATION

- Mechanical switch -

Standard switches

2SPDT switches

Contact arrangement:

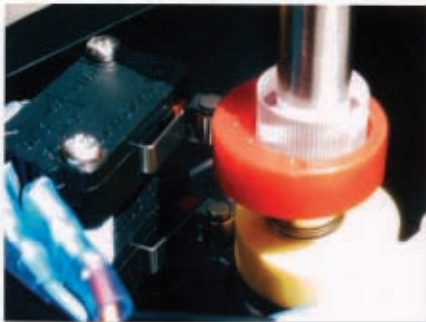
250VAC/16A, 250VDC/0.3A

125VDC/0.6A, 30VDC/10A,

Operating frequency

600 operating per minute max (mechanical)

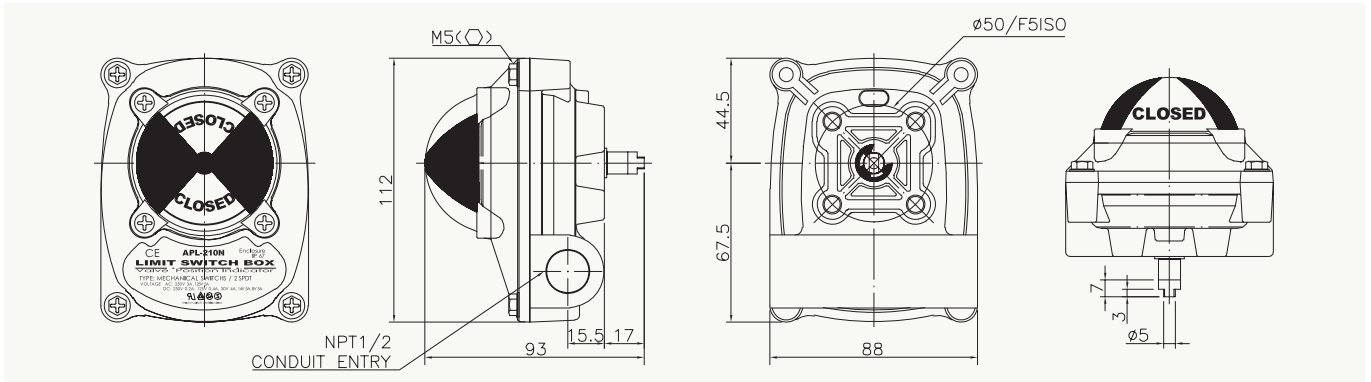
60 operating per minute max (electrical)



DIMENSION


UNIT : mm

APL 2N SERIES



STANDARD NAMUR SHAFT

BRACKET NAMUR STANDARD

Shape	
Size	25 × 50 H:20 30 × 80 H:20 30 × 80(130) H:30(50)
Model	210 N Series

